

Ski Tuning OverView

Why Tune?

- Maintain
- Prolong ski life
- Improve performance

Ski Tuning Service

Tuning Service:

- GP Tuning **888-393-5907**
 - Grind, sharpen, & Wax \$70, (Package of 5 - \$270)
 - Wax and sharpen \$35
 - Turnaround 1-2 days
- Bergers 607-722-4661
 - Grind, sharpen, & Wax \$60
 - Wax and sharpen \$45
 - Turnaround 2 days

DIY - "Full Monty"

- - Cost: Approx \$300-\$400
- - Source: see "Resources"
- - Basic Tuning Supplies
 - +Tuning Bench
 - +Tuning Vise
 - +Wax Iron
 - +Wax Scraper
 - +Metal Scraper
 - +Black/Clear P-Tex
 - +Nylon Brush
 - +Gray Gumi Stone
 - +Ski Brake Retainer
 - +Multi-Deg Base/Side Edger or fixed angle side/base guides
 - +File Brush
 - +400 Diamond Stone
 - +Hydrocarbon Wax
 - +Brass Brush

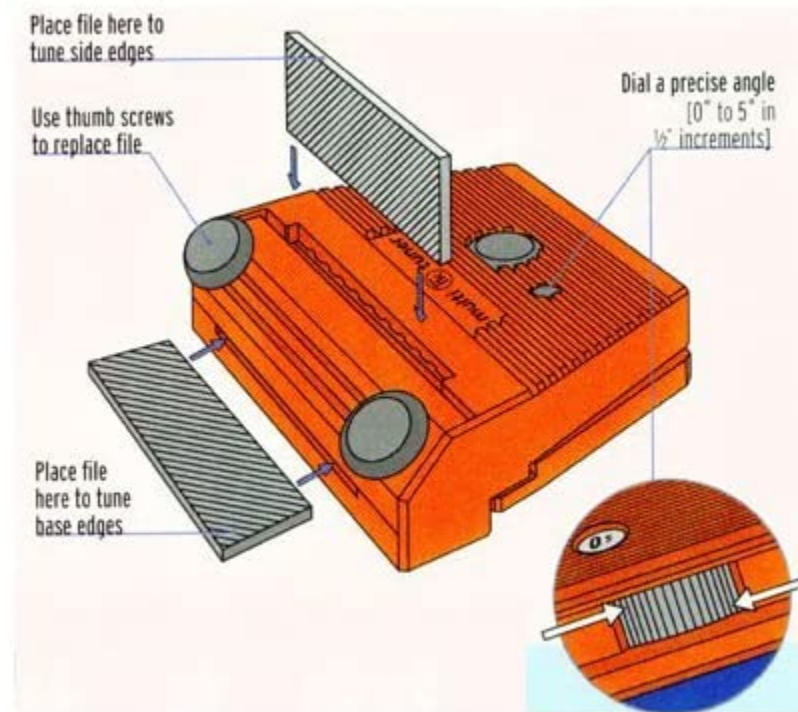
DIY - "Cheaper, Quick, and Easy"

- - Bottom and Side Edge Sharpening
 - SWIX TR3005 Carving Kit
 - SKS Base-Side Bevel File Guide Multi Tool
 - "Rub On" waxing

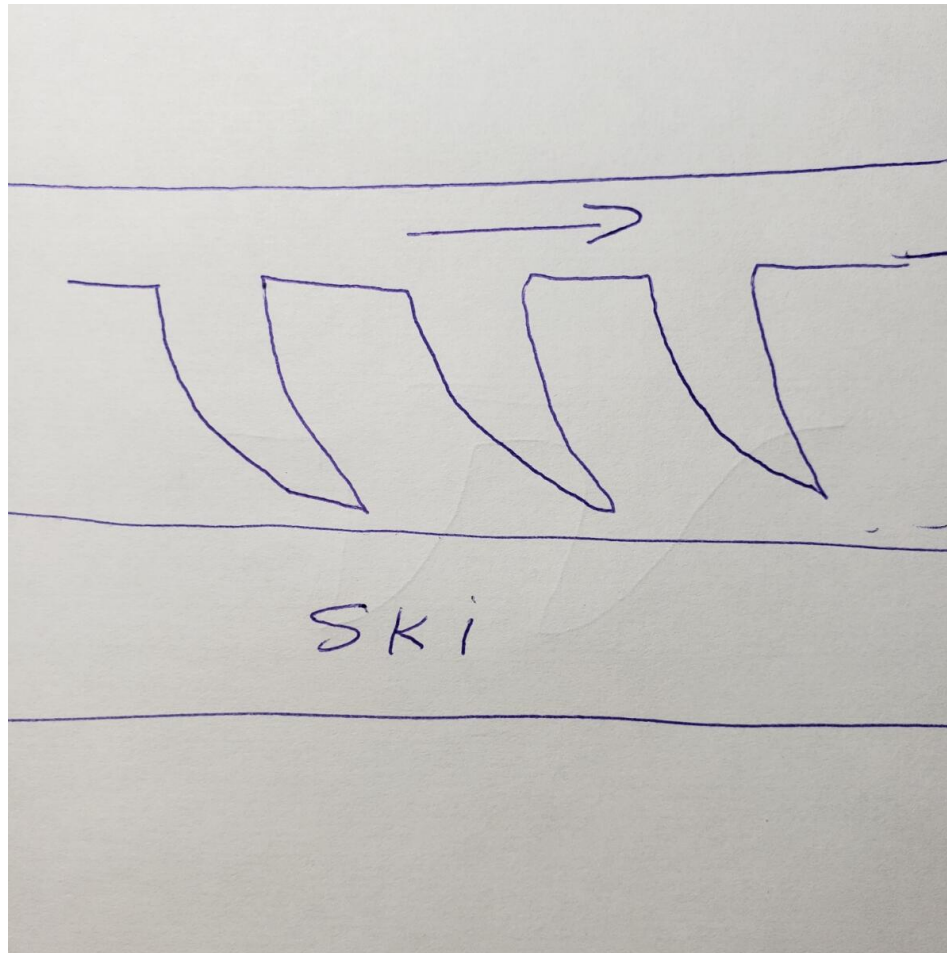
SWIX TR3005 Carving Kit



SKS Base-Side Bevel File Guide Multi Tool



File Slide Direction



Resources

- How-to Videos
 - Youtube.com
 - racewax.com
- Supplies
 - racewax.com
 - artechski.com
 - amazon.com
 - maxiglide.com